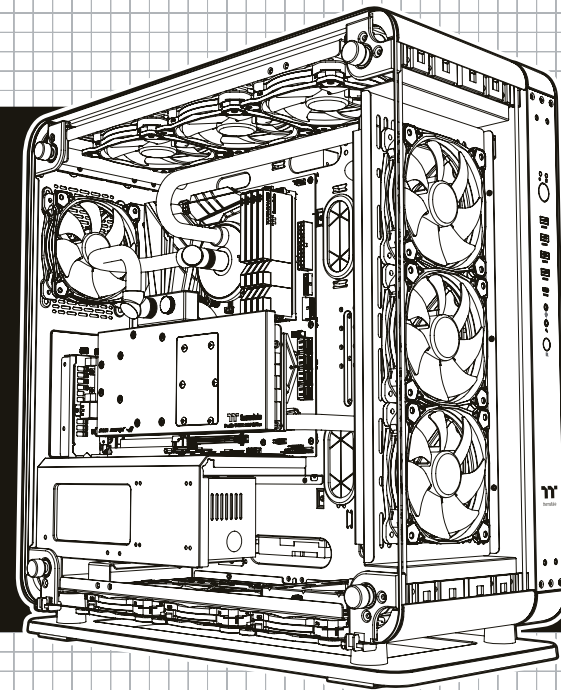


CORE P6 TG

Your Build. Our Core



User's Manual
Benutzerhandbuch
Mode d'emploi
Manual del usuario
Manuale dell'utente
Manual do Utilizador
安裝說明書
用戶手冊
ユーザーズマニュアル
Руководство пользователя
kullanıcı elkitabı
(EEE Yönetmeliğine Uygun)
คู่มือการใช้

Picture is for reference only

TT Premium



TT Premium

To continue achieving the corporate mission of delivering the perfect user experience, Thermaltake developed "TT Premium" with the essence of combining supreme quality products with a new logo design. TT Premium is far more than just a guarantee of quality. Behind the name, it represents the passion in DIY, Modding and Thermaltake's desire to be the most innovative brand in the PC hardware market. To satisfy the demand of the high-end PC users, TT Premium follows its core values of Excellent Quality, Unique Design, Diverse Combinations and Boundless Creativity to provide a high performance PC product for every enthusiast. <http://tppremium.com>

Tt LCS-Liquid Cooling Support Certification



Tt LCS Certified is a Thermaltake exclusive certification applied to only products that pass the design and hardcore enthusiasts standards that a true LCS chassis should be held to. The Tt LCS certification was created so that we at Thermaltake can designate to all power users which chassis have been tested to be best compatible with extreme liquid cooling configurations to ensure you get the best performance from the best features and fitment.

Join Tt Community To Receive Benefits



Dear Valued Customer,
Thank you for choosing Thermaltake.
As a new user we value your thoughts and opinions and your feedback is important to us. We at Thermaltake would like to use this opportunity to invite you to join our Community Forums. Register today to start enjoying the full benefits of our community.



Benefits of being a member:

- Quick and responsive user support
- Receive help and advice with new builds
- Keep up to date with new product releases
- Share your thoughts and builds with the community
- Enter monthly contests and giveaways

Brand official website
<http://www.thermaltake.com/>

Global Facebook
<https://www.facebook.com/ThermaltakeInc>

Taiwan Facebook
<http://www.facebook.com/ThermaltakeTW>

Global community forums
<http://community.thermaltake.com>

CONTENTS



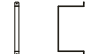


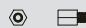
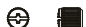
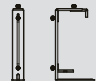

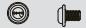



Chapter 1. Product Introduction

1.0	Specification	01
1.1	Accessory	02
1.2	Warning and Notice	03

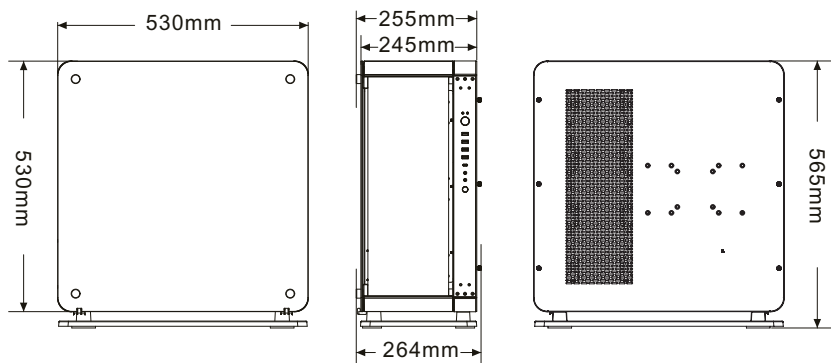
Chapter 2. Installation Guide

2.0	Remove Components	06
2.1	Power Supply Unit (PSU) Installation	10
2.2	Motherboard Installation	12
2.3	3.5" & 2.5" HDD Installation	13
2.4	PCI Card Installation	15
2.5	Liquid Cooling Installation	19
2.6	Air Cooling Installation	21
2.7	Wall-mounting	22
2.8	I/O Connection	23

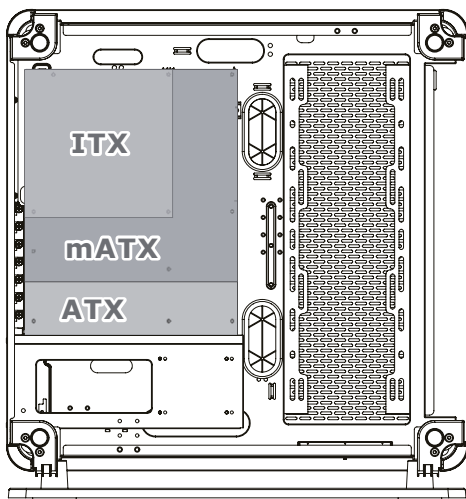
Model	Core P6 TG	Core P6 TG Snow Edition	
Case Type	Mid Tower		
Dimension (H*W*D)	565 x 255 x 530 mm (22.2 x 10 x 20.9 inch)		
Side Panel	Tempered Glass x 3		
Color	Black	White	
Material	SPCC		
Drive Bays	4 x 3.5" or 8 x 2.5"		
Expansion Slots	7 (Rotatable Patented Design)		
Motherboards	6.7" x 6.7" (Mini ITX), 9.6" x 9.6" (Micro ATX), 12" x 9.6" (ATX), 12" x 10.5" (CEB)		
I/O Port	USB 3.2 (Gen 2) Type C x 1, USB 3.0 x 2, USB 2.0 x 2, HD Audio x 1		
PSU	Standard PS2 PSU (optional)		
Fan Support	Front	3 x 120 mm, 2 x 120 mm, 1 x 120 mm	2 x 140mm, 1 x 140mm
	Top	3 x 120 mm, 2 x 120 mm, 1 x 120 mm	2 x 140mm, 1 x 140mm
	Rear	1 x 120 mm	
	Right (M/B Side)	3 x 120 mm, 2 x 120 mm, 1 x 120 mm	2 x 140mm, 1 x 140mm
	Bottom	3 x 120 mm, 2 x 120 mm, 1 x 120 mm	2 x 140mm, 1 x 140mm
Radiator Support	Front	1 x 360mm, 1 x 240mm, 1 x 120mm	1 x 280mm, 1 x 140mm
	Top	1 x 360mm, 1 x 240mm, 1 x 120mm	1 x 280mm, 1 x 140mm
	Rear	1 x 120 mm	
	Right (M/B Side)	1 x 360mm, 1 x 240mm, 1 x 120mm	1 x 280mm, 1 x 140mm
	Bottom	1 x 240 mm, 1 x 120 mm	
Clearance	CPU cooler height limitation	180mm	
	VGA length limitation	300mm(With Reservoir), 400mm(Without Reservoir) 430mm(With Radiator), 458mm(Without Radiator)	
	PSU length limitation	200mm	

Figure	Part Name	Q'ty	Use For
	Screw #6-32 x 6 mm	8	For PSU
	Power Backplate	1	For PSU
	Power Bracket	1	For PSU
	Screw #6-32 x 6 mm	29	For Motherboard / 3.5" HDD / Riser Cable
	Buzzer	1	For Motherboard Alarm
	Stand-off Screw #6-32 x 6.5 mm	2	For Backup
	Net setter	1	For Stand-off
	VGA Support Bracket	1	For VGA
	Thumb Screw #6-32 x 6mm	2	For VGA Support Bracket
	Screw M3 x 6 mm	28	For 2.5" HDD / SSD
	HDD Rubber	1	For 2.5" HDD
	Screw Ø5 x 12 mm	12	For Fan
	Cable Ties	5	For Cable Management

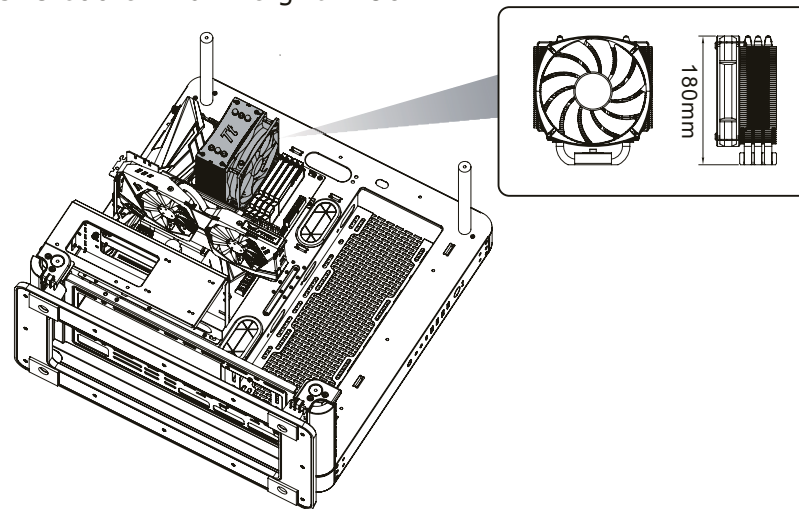
Chassis dimension



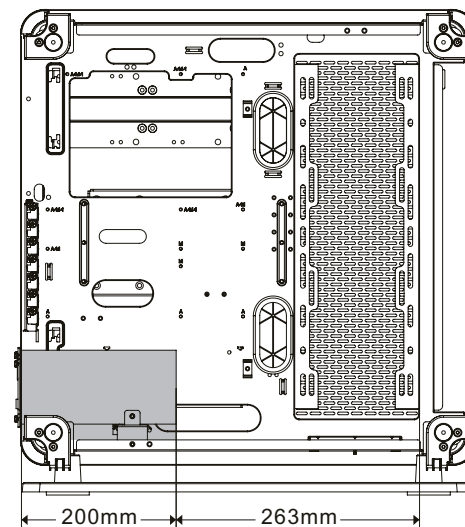
Motherboard Compatibility: ITX / mATX / ATX / CEB
(Up to 267mm wide)



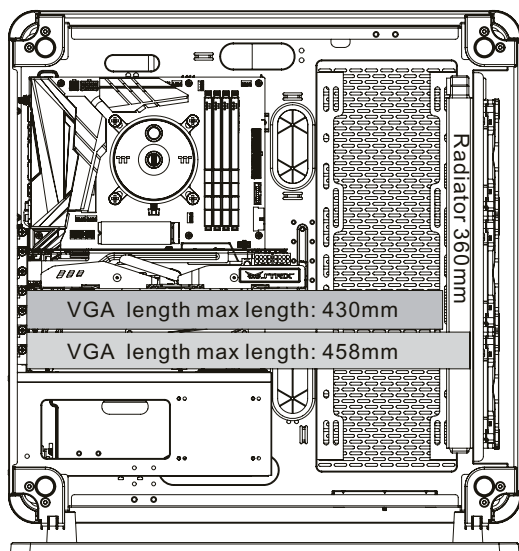
CPU cooler max height: 180mm



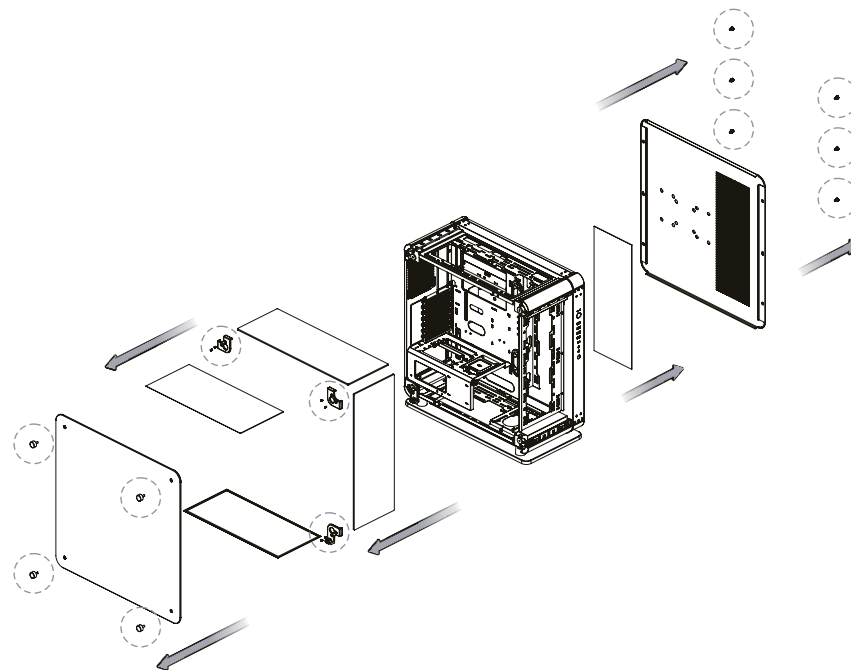
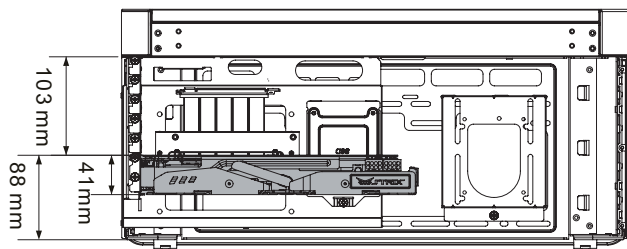
PSU max length: 200mm



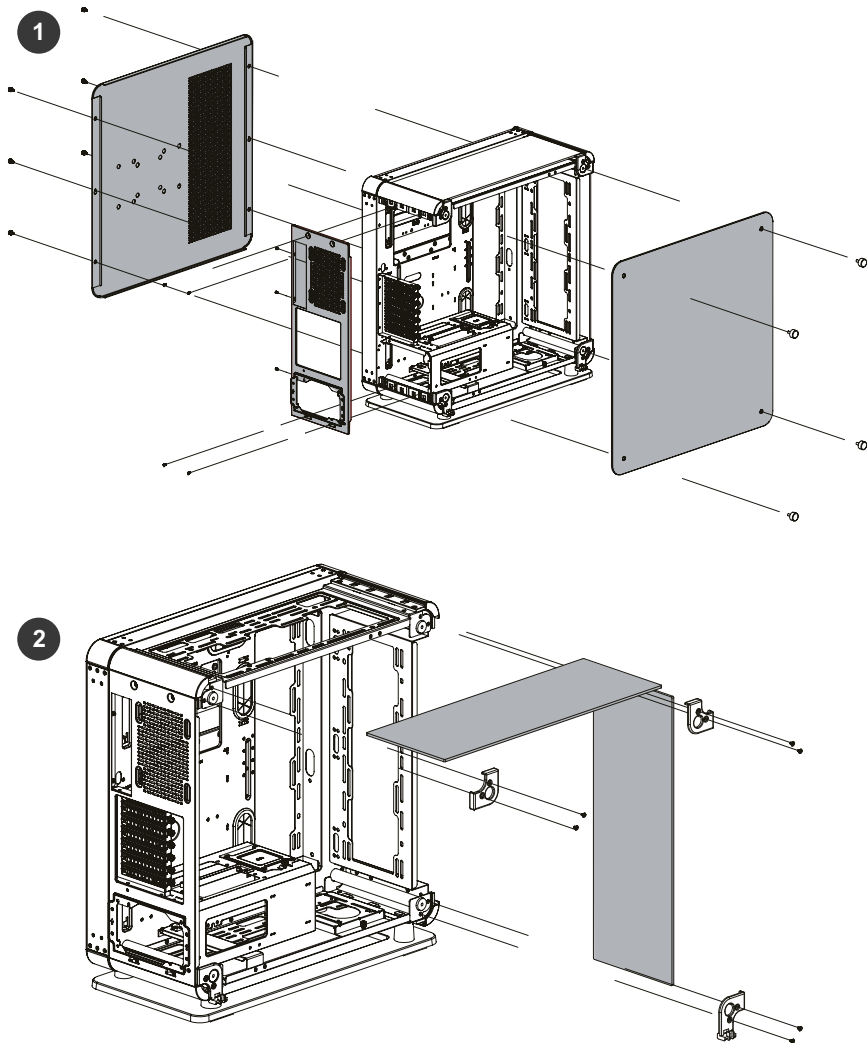
VGA length max length: 458mm



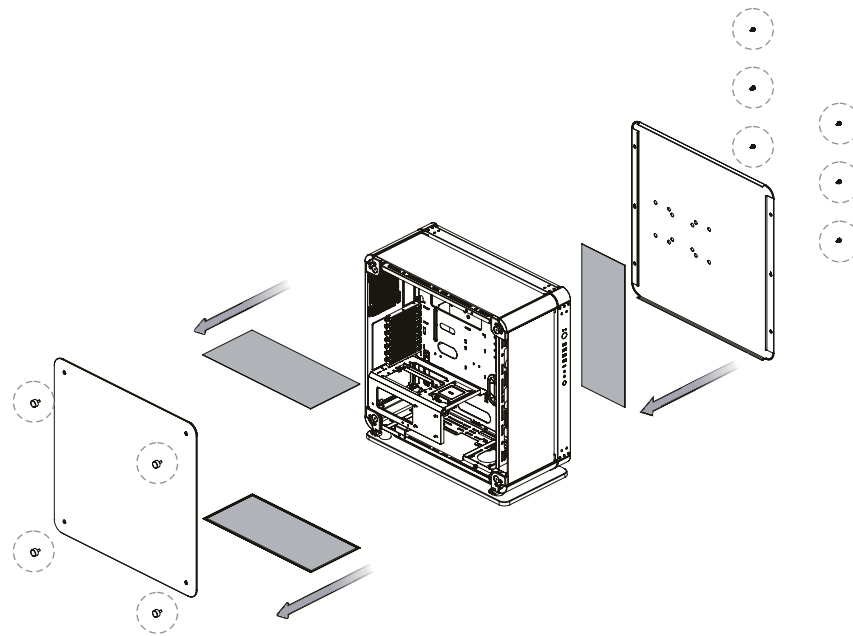
VGA max width: 88mm



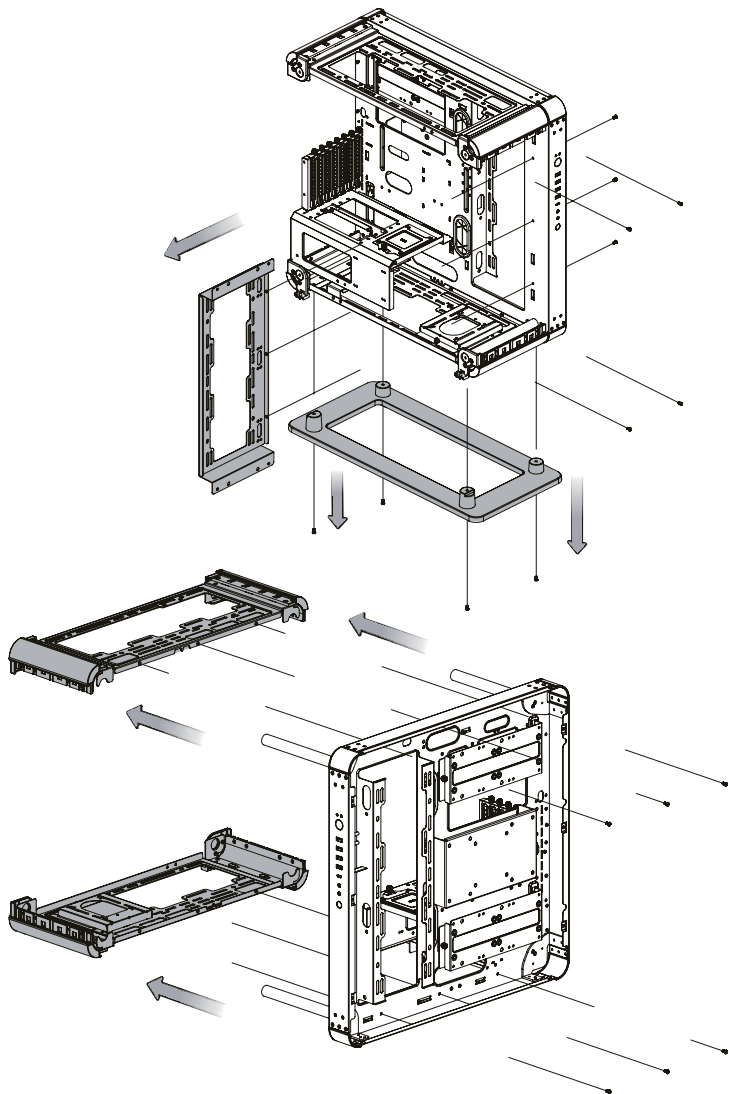
Remove Tempered Glass & Side Panel



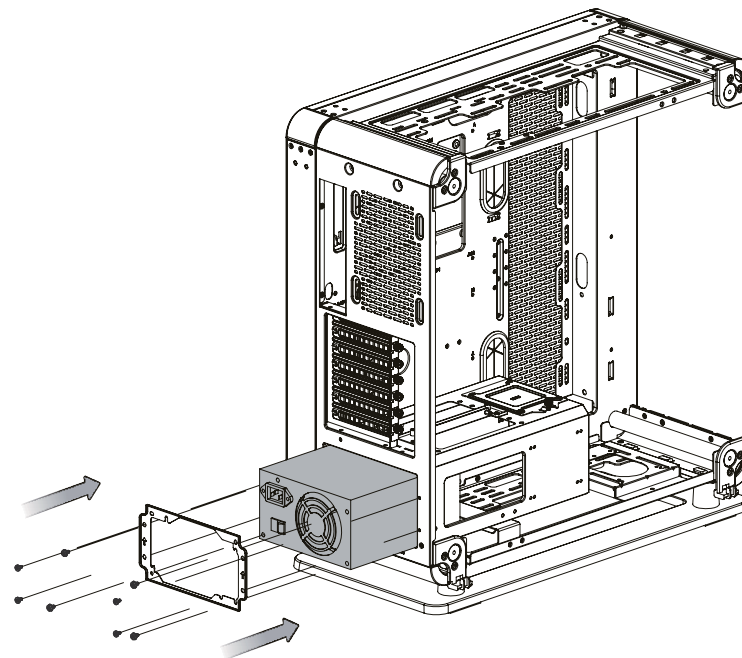
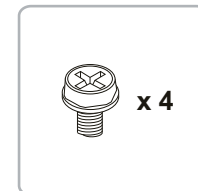
Remove Filters



Remove Fan Bracket & Stand (If Necessary)



Type A: Horizontal PSU

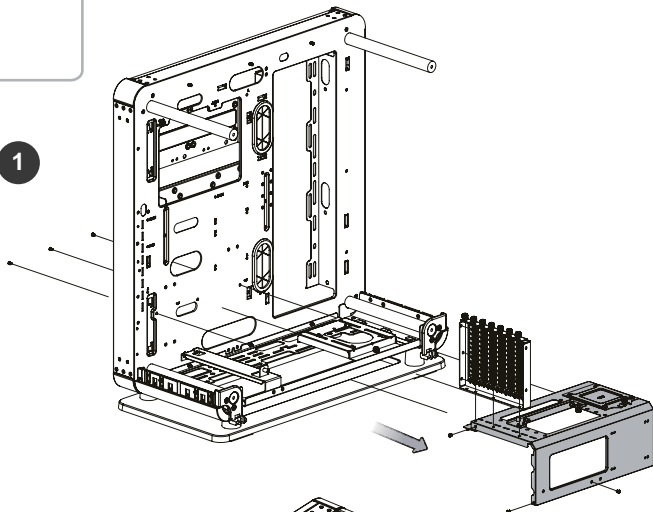




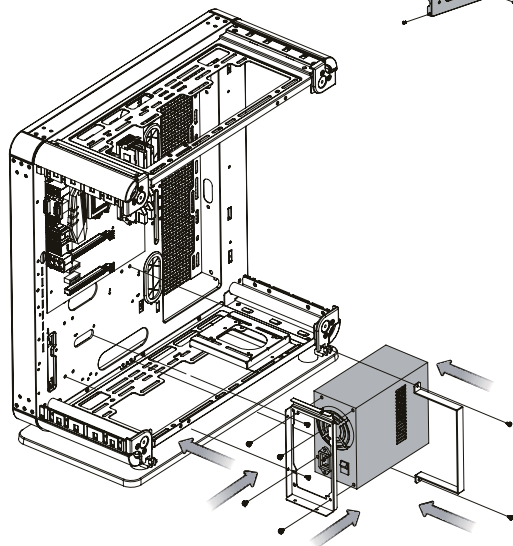
x 4

Type B: Vertical PSU (mATX/ITX motherboard only)

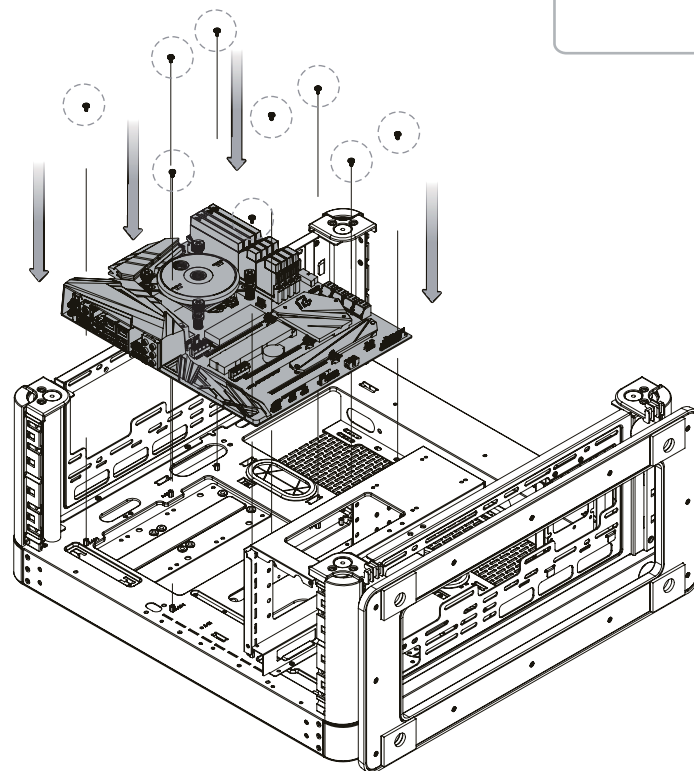
1

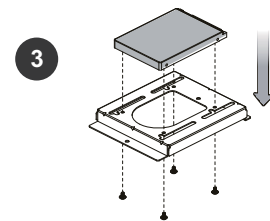
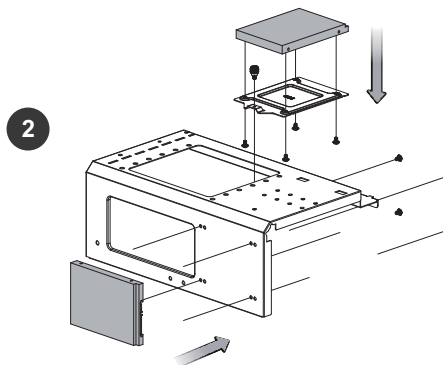
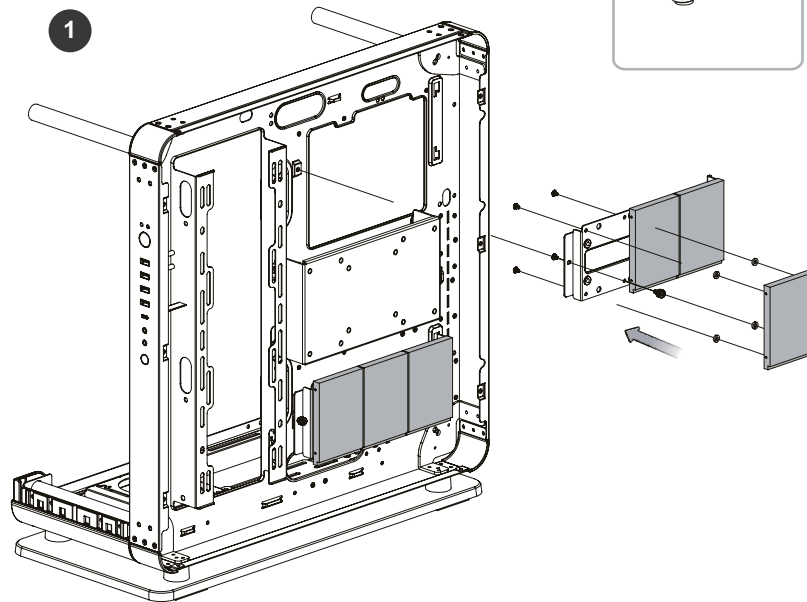
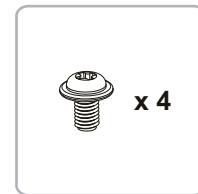
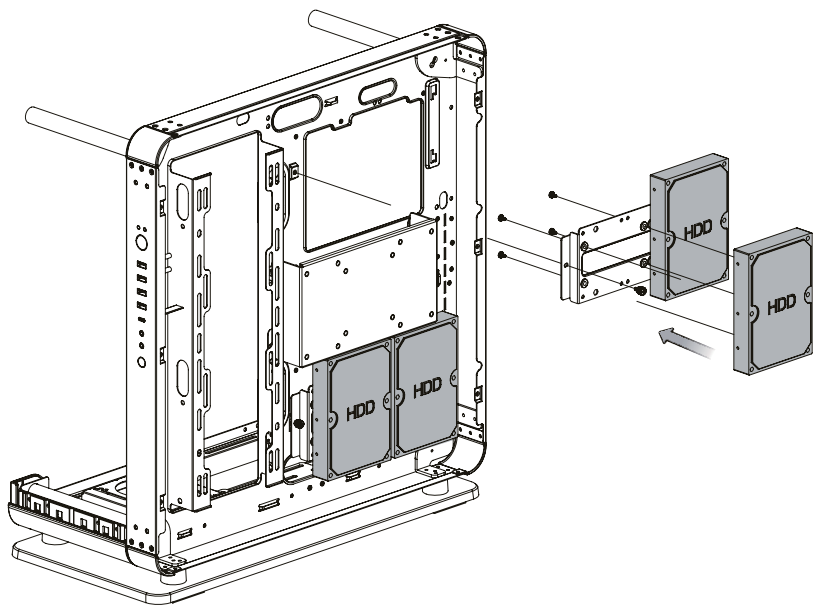
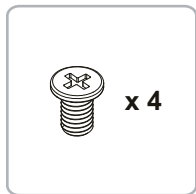


2



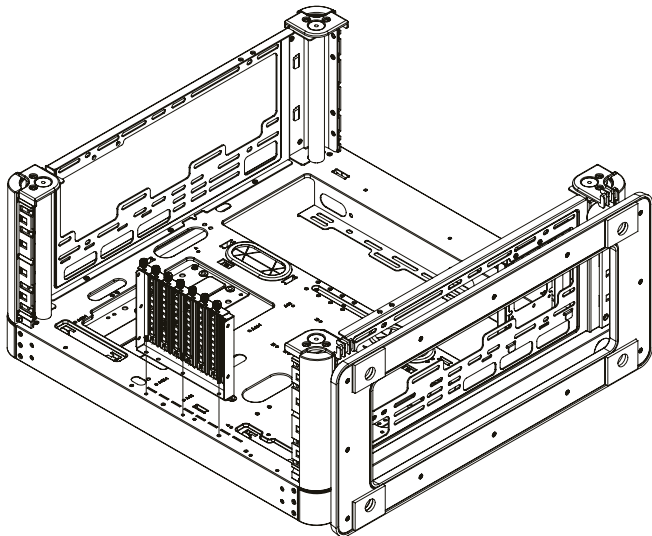
x 9



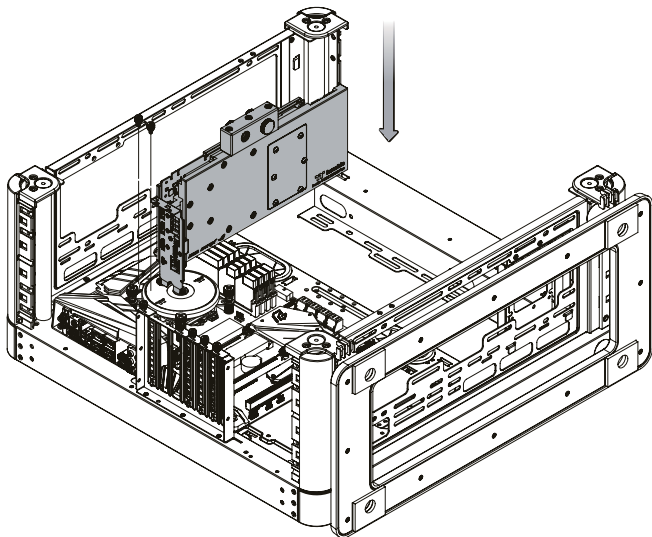


Type A: Installing to Motherboard

1



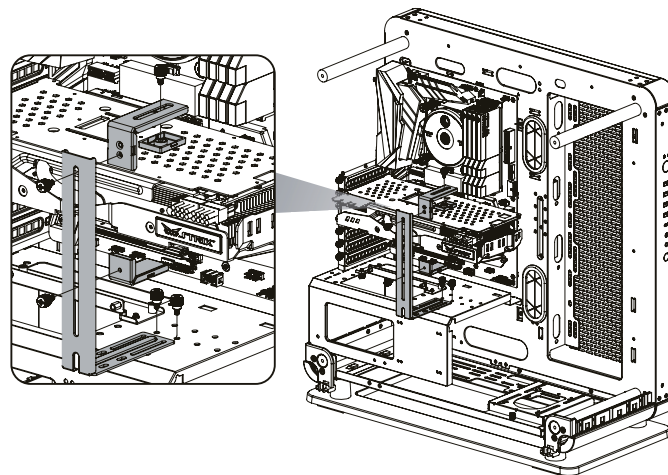
2



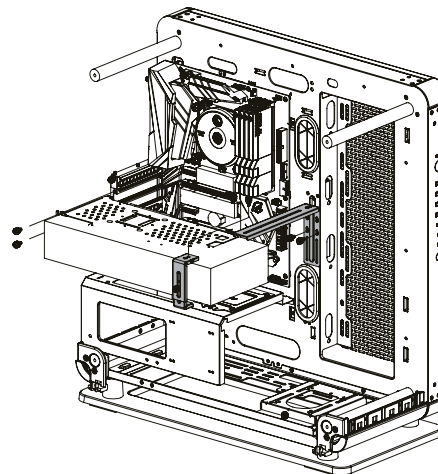
Type A: Installing VGA Support Bracket

3

A: Fix to power cover



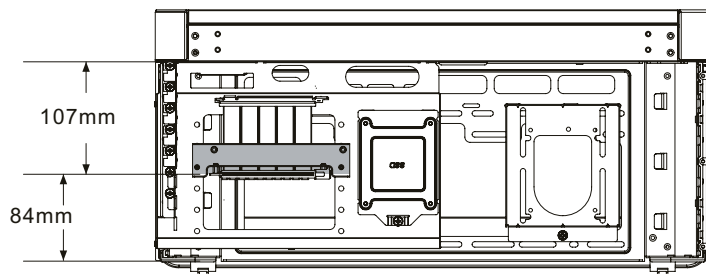
B: Fix to power Chassis



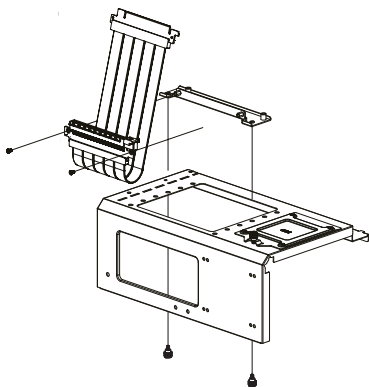


**Type B: Installing to extended bracket
(Riser cable is not included)**

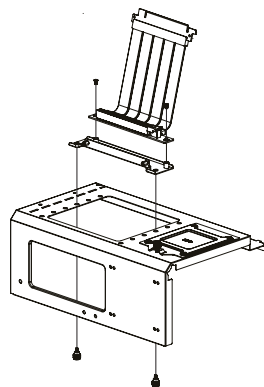
1



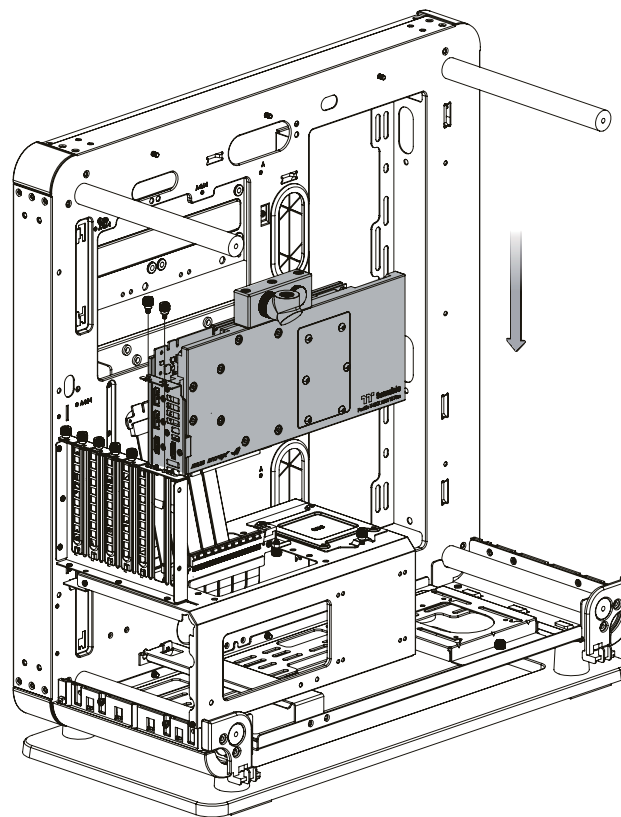
A: 180 degree adapter

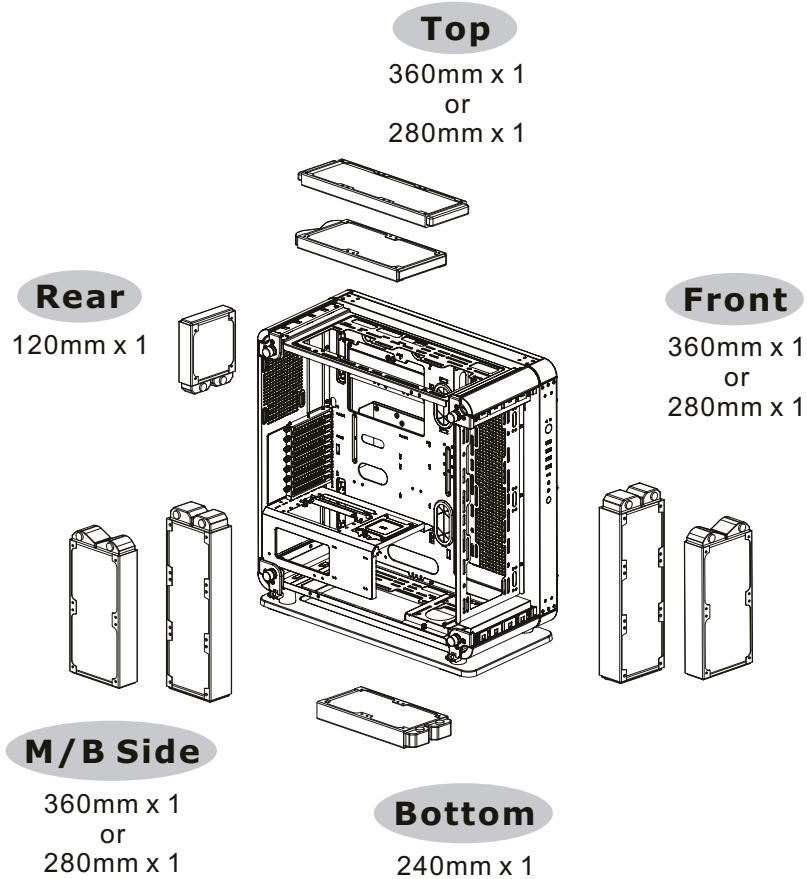


B: 90 degree adapter

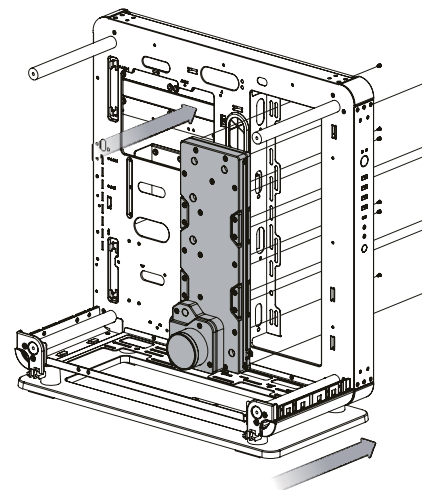


2

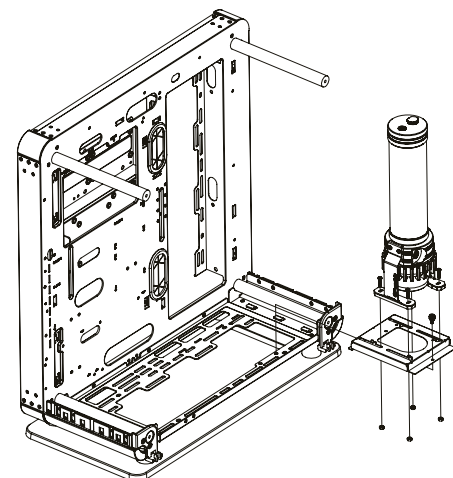


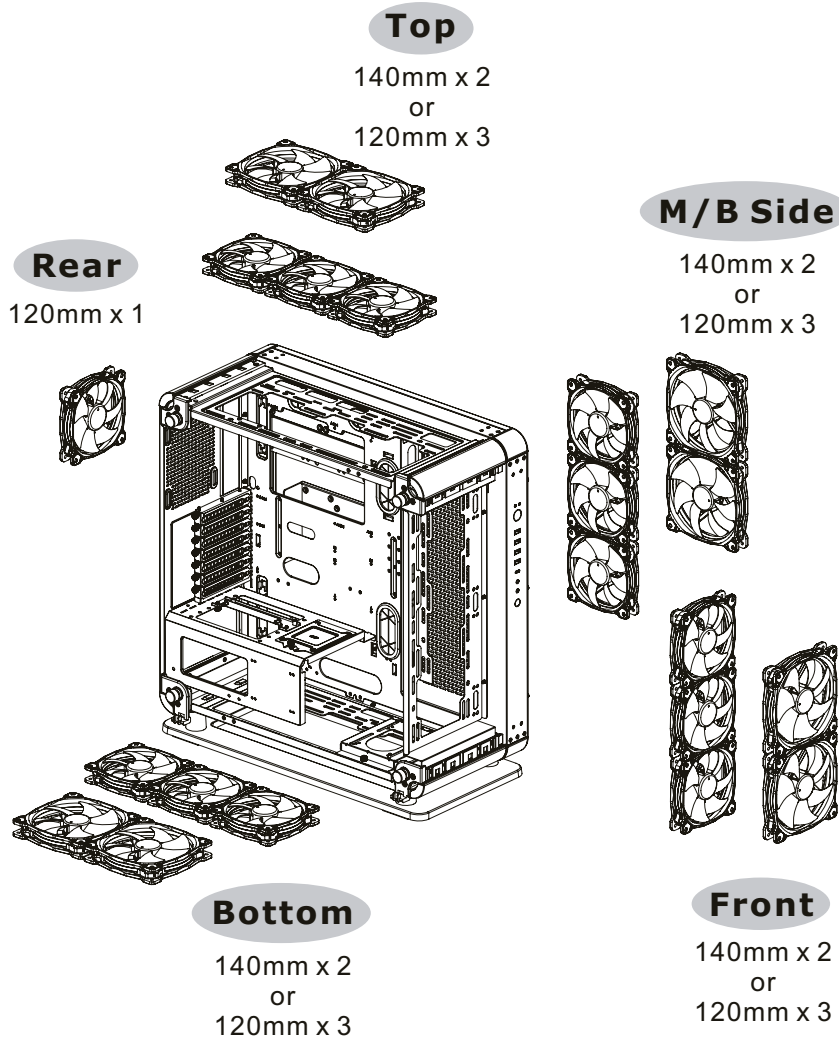


Pacific DP100-D5 Plus Distro-Plate

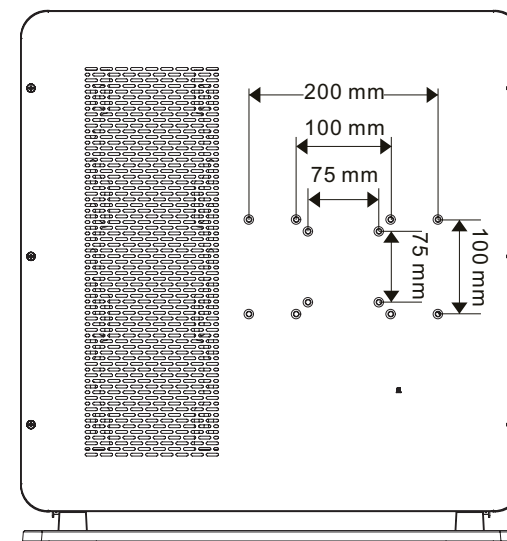


Pacific PR22-D5 Plus

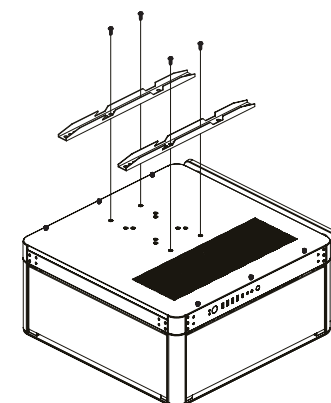




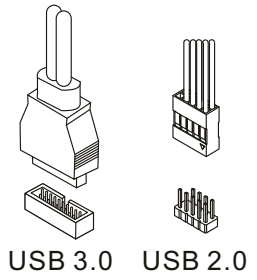
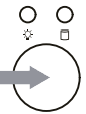
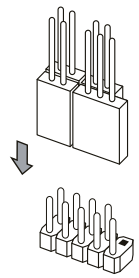
VESA Mount



Screws Hole : M6 x 1 pitch (Bracket is not included)



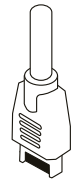
Power SW / Power LED /
HDD LED



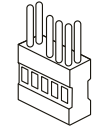
USB 3.0 USB 2.0



R



TYPE-C



HD Audio

RESET

Note:
